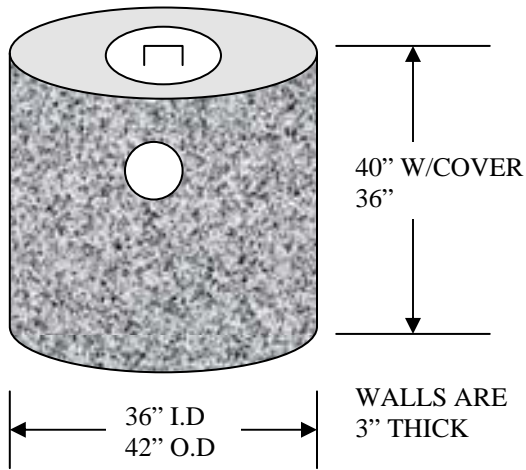


## PUMP BOXES

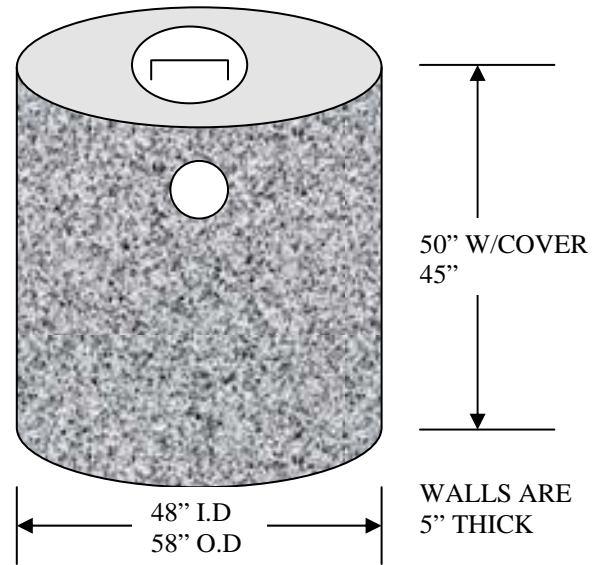
### 3' x 3' PUMP BOX

42" COVER W/20" LIFT-OUT  
 29" H.I (POLYLOCK PLUG)  
 32" H.O (2" HOLE)  
 52.9 GALS. PER VERTICAL FOOT

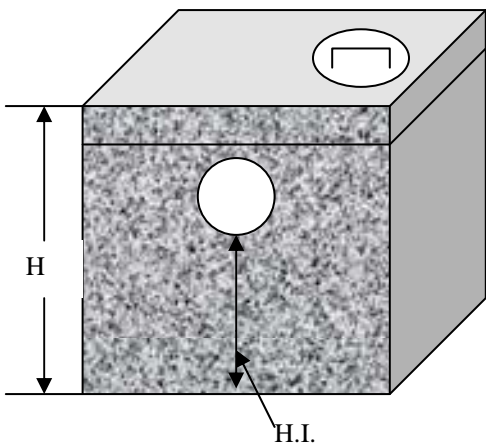


### 4' x 4' **HD** PUMP BOX

58" COVER W/23" LIFT-OUT  
 40" H.I (TUF-TITE PLUG)  
 42" H.O (4" PLUG)  
 110 GALS. PER VERTICAL FOOT



### LARGE PUMP BOXES



**4' x 4' H-10 BOX**  
 300 GALLON

**H**  
 56"

**H.I**  
 45"

**6' x 6' H-10 BOXES**  
 600 GALLON  
 800 GALLON

52"

40"

62"

50"

**6'4" x 6'4" H-20 BOXES**

600 GALLON  
 800 GALLON

54"

40"

66"

52"