

UNITED STATES FOUNDRIES, INC.

Corporate Head Quarters: P.O. Box - 327, Manchester, NH 03105-0327

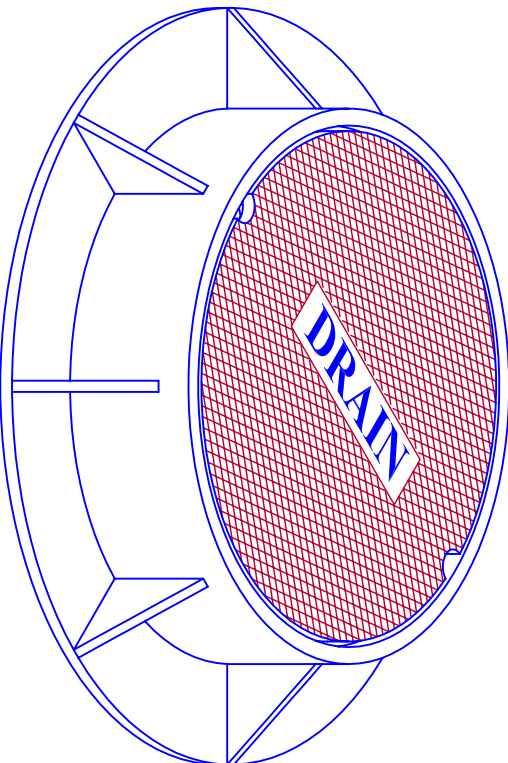
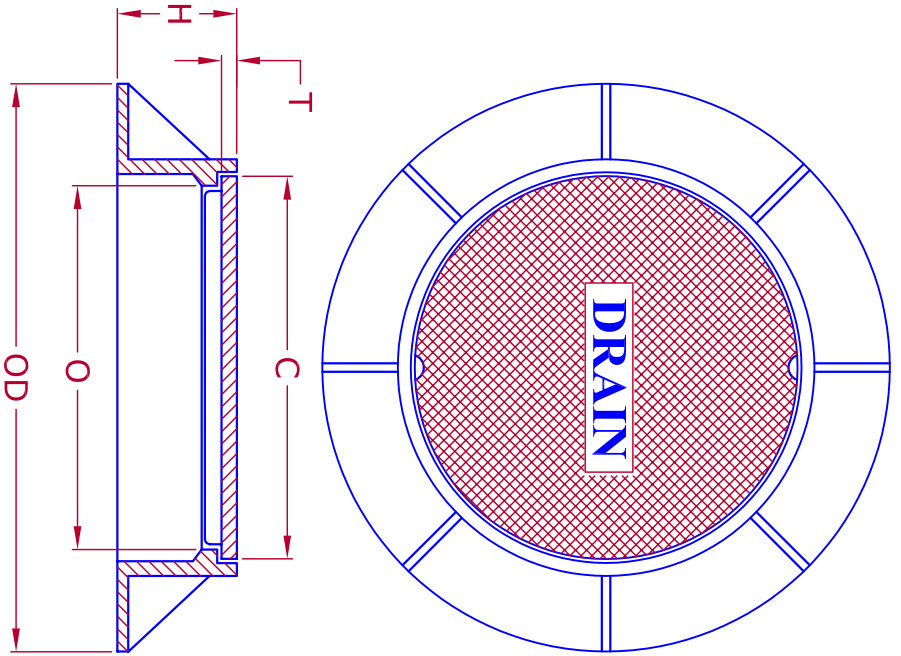
Tel: 800 581 8221

Fax: 800 392 9218

THIS DRAWING DOES NOT REPRESENT Q SERIES

SERIES AVAILABLE SEPERATELY

TRY 'Q' SERIES
 SAME PATTERN
 IMPROVED DESIGN
 DOUBLE STRENGTH
 100% INTERCHANGABLE
 10 YEAR WARRANTY



MODEL	C	H	O	OD	T
4001-A	24	3	22	34 OR 36	1 3/8 OR 1 1/4
4001-B	24	4	22	34 OR 36	1 3/8 OR 1 1/4
4001-C	24	6	22	34 OR 36	1 3/8 OR 1 1/4
4001-D	24	7	22	34 OR 36	1 3/8 OR 1 1/4
4001-E	24	8	22	34 OR 36	1 3/8 OR 1 1/4
4001-F	24	9	22	34 OR 36	1 3/8 OR 1 1/4

PLEASE SPECIFY BELOW
SEWER <input type="checkbox"/>
STORM <input type="checkbox"/>
DRAIN <input checked="" type="checkbox"/>
SANITARY SEWER <input type="checkbox"/>
PLAIN <input type="checkbox"/>
ELECTRIC <input type="checkbox"/>
TELEPHONE <input type="checkbox"/>
OTHER <input type="checkbox"/>

ENGINEERING DATA

MATERIALS : CONFORMS TO ASTM A48 CLASS 30B OR 35B SPECS.
LOAD RATING : FOR A.A.S.H.T.O. & HS 20-44 HIGHWAY LOADING

Warranty : TEN years

SPECIFICATIONS : CASTING IN ACCORDANCE WITH MASS HIGHWAY, R.I. DOT & N.H. DOT SPECS.

HEAVY DUTY H20 LOAD RATED FRAMES & COVERS