

UNITED STATES FOUNDRIES, INC.

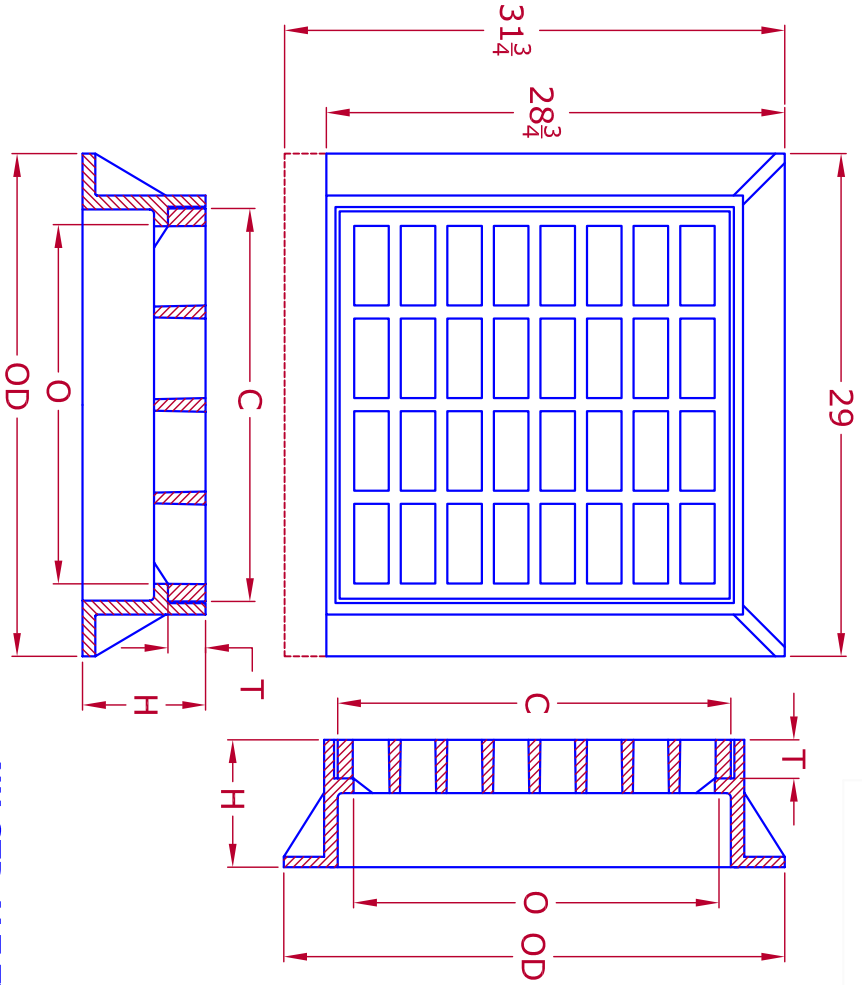
Corporate Head Quarters: P.O. Box - 327, Manchester, NH 03105-0327

© United States Foundries 2003 All Rights Reserved.

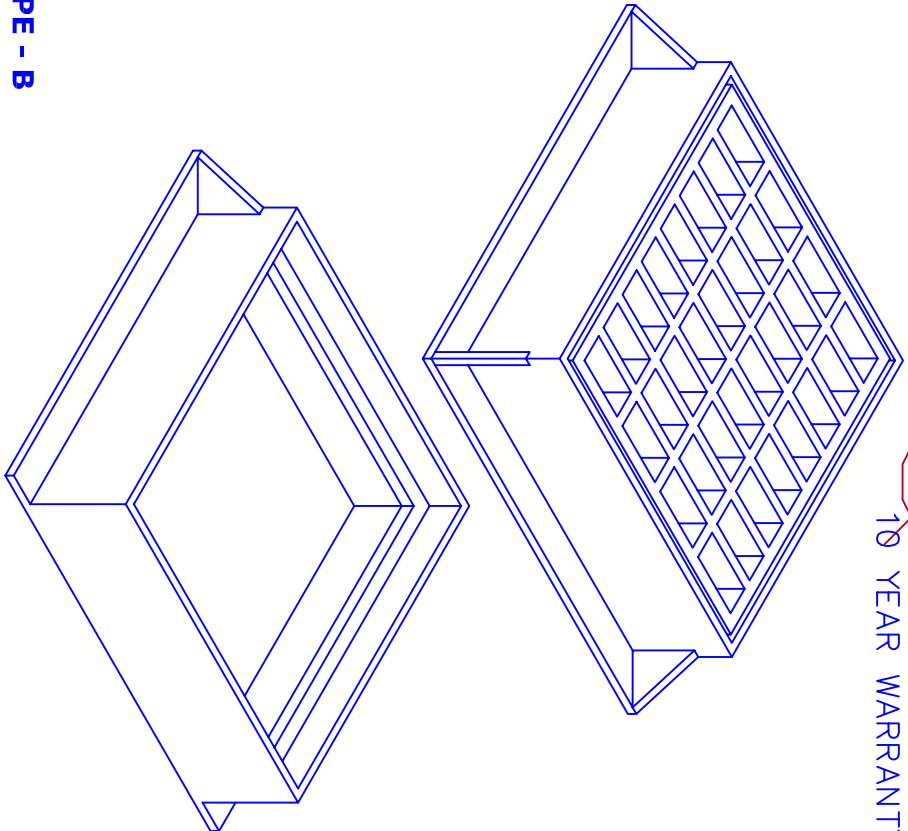
Tel: 800 581 8221

Fax: 800 392 9218

TRY 'Q' SERIES
 SAME PATTERN
 IMPROVED DESIGN
 DOUBLE STRENGTH
 100% INTERCHANGABLE
 10 YEAR WARRANTY



NH STD ALT TYPE - B



MODEL	C	H	O	OD	T
8015-A3	21 x 23	4	20 1/2 x 22 1/4	29 x 28 3/4	2 1/2
8015-B3	21 x 23	6	20 1/2 x 22 1/4	29 x 28 3/4	2 1/2
8015-C3	21 x 23	8	20 1/2 x 22 1/4	29 x 28 3/4	2 1/2
8015-D4	21 x 23	4	20 1/2 x 22 1/4	29 x 31 1/4	2 1/2
8015-E4	21 x 23	6	20 1/2 x 22 1/4	29 x 31 1/4	2 1/2
8015-F4	21 x 23	8	20 1/2 x 22 1/4	29 x 31 1/4	2 1/2

NOTES

ENGINEERING DATA

MATERIALS : CONFORMS TO ASTM A48 CLASS 30B OR 35B SPECS.
LOAD RATING : FOR A.A.S.H.T.O. & HS 20-44 HIGHWAY LOADING

WARRANTY: TEN YEARS

SPECIFICATIONS : CASTING IN ACCORDANCE WITH NEW HAMPSHIRE DOT SPECS.
ISO 9002 : CERTIFIED TO BE PRODUCED IN ISO 9002 APPROVED PLANTS

HEAVY DUTY FRAMES & GRATES 3 & 4 FLANGE NH TYPE B