

UNITED STATES FOUNDRIES, INC.

Corporate Head Quarters: P.O. Box - 327, Manchester, NH 03105-0327

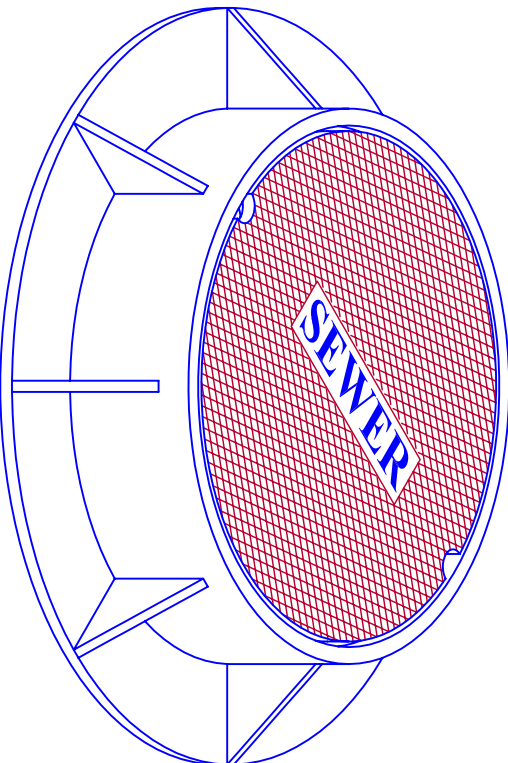
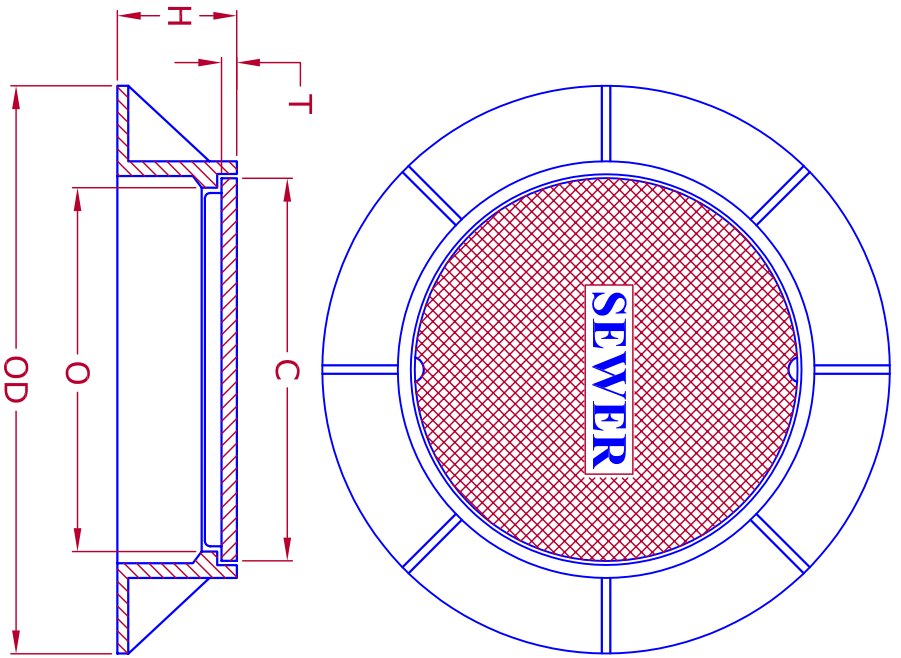
Tel: 800 581 8221

Fax: 800 392 9218

THIS DRAWING DOES NOT REPRESENT Q SERIES

SERIES AVAILABLE SEPARATELY

TRY 'Q' SERIES
 SAME PATTERN
 IMPROVED DESIGN
 DOUBLE STRENGTH
 100% INTERCHANGABLE
 10 YEAR WARRANTY



MODEL	C	H	O	OD	T
4001-A	24	3	22	34 OR 36	1 3/8 OR 1 1/4
4001-B	24	4	22	34 OR 36	1 3/8 OR 1 1/4
4001-C	24	6	22	34 OR 36	1 3/8 OR 1 1/4
4001-D	24	7	22	34 OR 36	1 3/8 OR 1 1/4
4001-E	24	8	22	34 OR 36	1 3/8 OR 1 1/4
4001-F	24	9	22	34 OR 36	1 3/8 OR 1 1/4

PLEASE SPECIFY BELOW
<input checked="" type="checkbox"/> SEWER
<input type="checkbox"/> STORM
<input type="checkbox"/> DRAIN
<input type="checkbox"/> SANITARY SEWER
<input type="checkbox"/> PLAIN
<input type="checkbox"/> ELECTRIC
<input type="checkbox"/> TELEPHONE
<input type="checkbox"/> OTHER →

ENGINEERING DATA

MATERIALS : CONFORMS TO ASTM A48 CLASS 30B OR 35B SPECS.
LOAD RATING : FOR A.A.S.H.T.O. & HS 20-44 HIGHWAY LOADING

Warranty : TEN years

SPECIFICATIONS : CASTING IN ACCORDANCE WITH MASS HIGHWAY, R.I. DOT & N.H. DOT SPECS.

HEAVY DUTY H20 LOAD RATED FRAMES & COVERS