

UNITED STATES FOUNDRIES, INC.

Corporate Head Quarters: P.O. Box - 327, Manchester, NH 03105-0327

© United States Foundries 2003 All Rights Reserved.

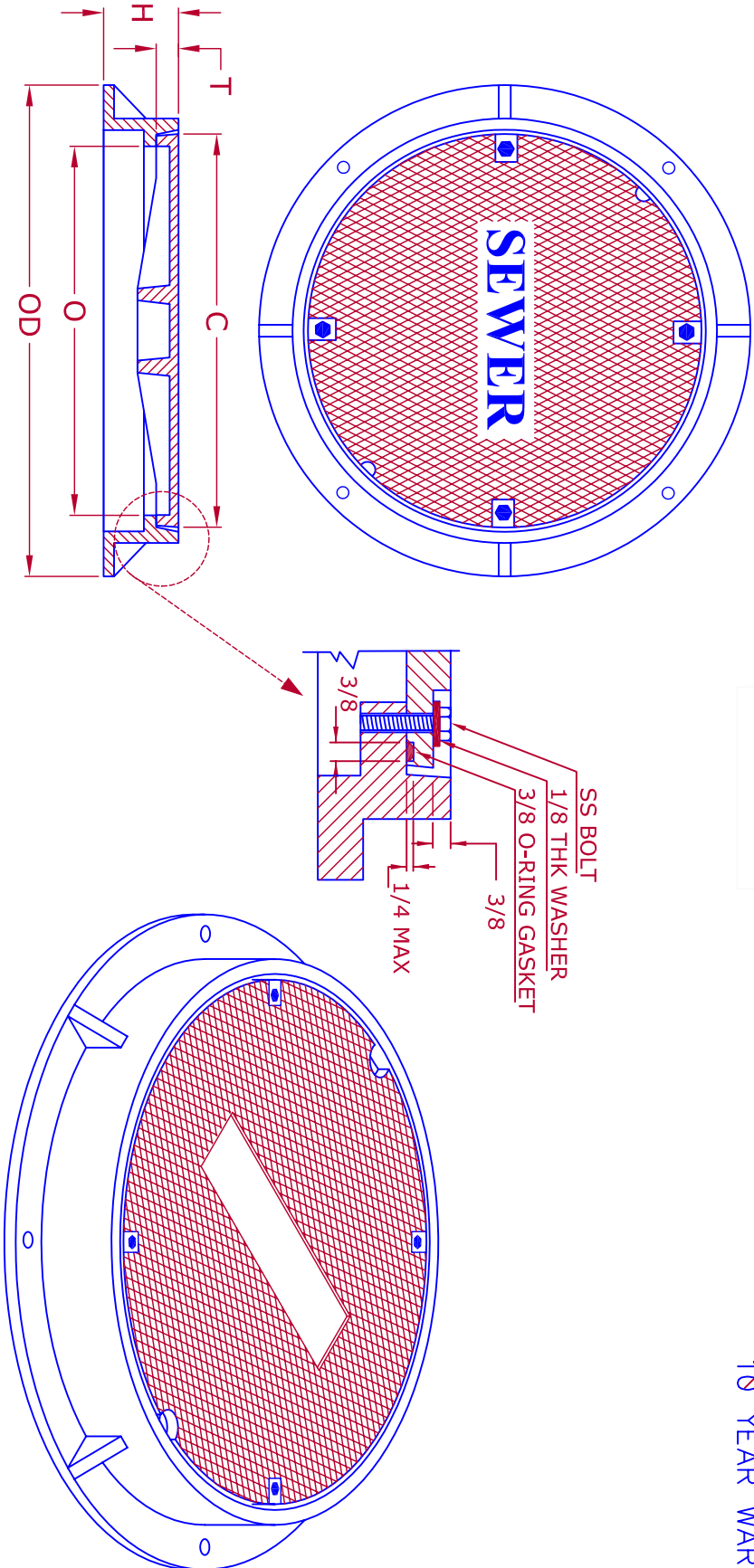
THIS DRAWING DOES NOT REPRESENT Q SERIES

Tel: 800 581 8221

Fax: 800 392 9218

SERIES AVAILABLE SEPARATELY

TRY 'Q' SERIES
 SAME PATTERN
 IMPROVED DESIGN
 DOUBLE STRENGTH
 100% INTERCHANGABLE
 10 YEAR WARRANTY



MODEL	C	H	O	OD	T
3031-A	32	4	30	40	1 3/4
3031-B	32	6	30	40	1 3/4
3031-C	32	8	30	40	1 3/4
3031-D	32	10	30	40	1 3/4

PLEASE SPECIFY BELOW
SEWER
STORM
DRAIN
SANITARY SEWER
PLAIN
ELECTRIC
TELEPHONE
OTHER →

ENGINEERING DATA

MATERIALS : CONFORMS TO ASTM A48 CLASS 30B OR 35B SPECS.
LOAD RATING : FOR A.A.S.H.T.O. & HS 20-44 HIGHWAY LOADING

WARRANTY : TEN YEARS

ISO 9002 : CERTIFIED TO BE PRODUCED IN ISO 9002 APPROVED PLANTS

HEAVY DUTY FRAMES & COVERS WATER TIGHT

