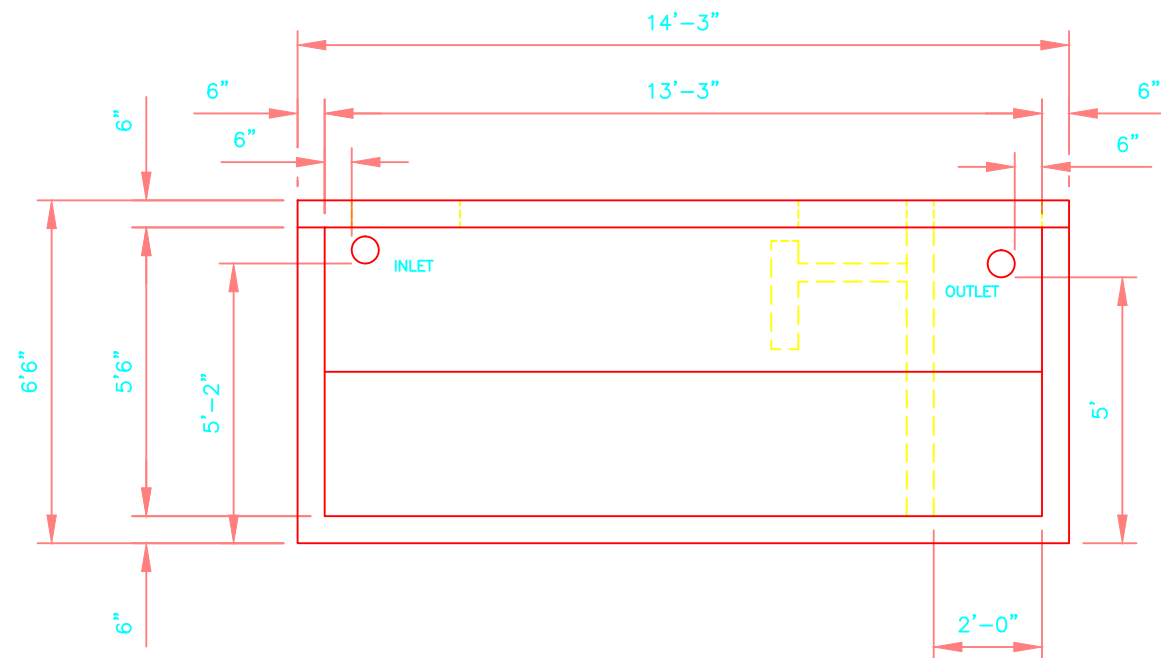


PLAN VIEW



ELEVATION VIEW

- NOTES:
1. CONCRETE: 5,000PSI MIN AFTER 28 DAYS.
  2. ALL REINFORCEMENT PER ASTM C1227-93.
  3. TEES AND GAS BAFFLE SOLD SEPARATELY.
  4. TONGUE & GROOVE JOINT SEALED WITH BUTYLE RESIN.
  5. 4" POLYLOK IV CLOSED END BOOTS USED FOR CONNECTIONS.
  6. PLASTIC RISER CAN BE POURED INTO COVER.
  7. PUMPS & ACCESSORIES OPTIONAL.

PREPARED FOR:			ANDREW J. FOSS CO. INC.		
			100 COCHECO ROAD		
			FARMINGTON, NH 03835		
			PHONE(603)755-2515 FAX(603)278-7878		
REV.NO.	DATE	REVISION	DATE: 9/16/09	SHEET TITLE: SKETCH	DRWN BY: GJP
			SCALE: N.T.S.		CKD BY: KMK
PREPARED BY:			PROJECT:		
<b>DELTA</b>			2184 GALLON TANK		
ENGINEERS, ARCHITECTS, & LAND SURVEYORS			384 GALLON CHAMBER		
184 COURT STREET, BINGHAMTON, NY 13901			H-20		
TEL: (607) 231-6800 FAX: (607) 231-6850			CONTRACTOR:	DWG. I.D.	SK-01
			DELTA PROJ. NO.: 2009.367.001	SHT. NO.	1 OF 1