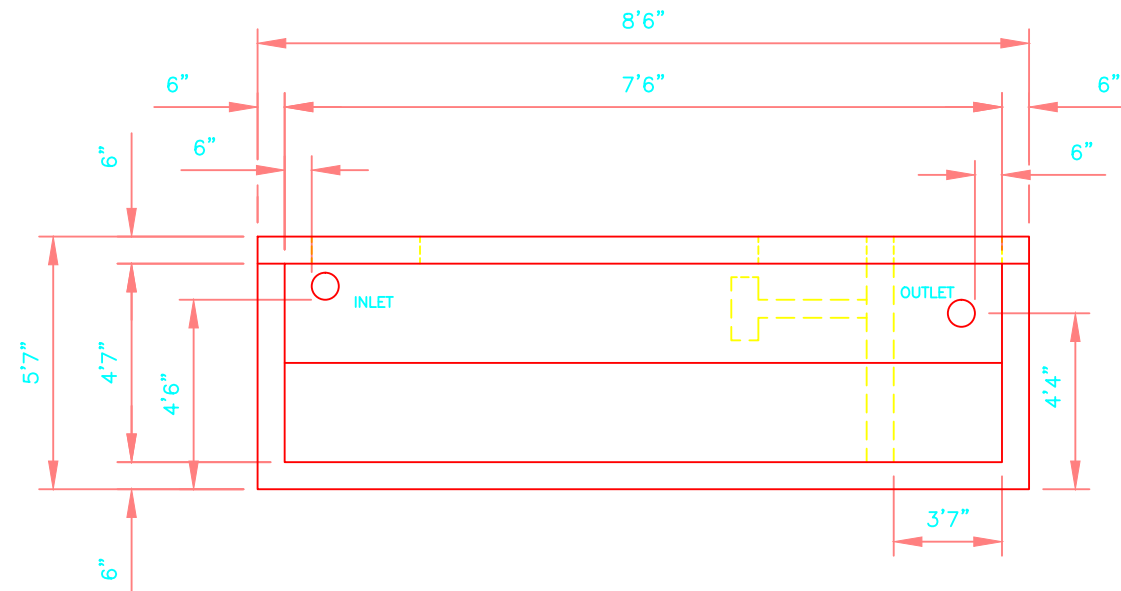


PLAN VIEW



ELEVATION VIEW

- NOTES:
1. CONCRETE: 5,000PSI MIN AFTER 28 DAYS.
 2. ALL REINFORCEMENT PER ASTM C1227-93.
 3. TEES AND GAS BAFFLE SOLD SEPARATELY.
 4. TONGUE & GROOVE JOINT SEALED WITH BUTYLE RESIN.
 5. 4" POLYLOK IV CLOSED END BOOTS USED FOR CONNECTIONS.
 6. PLASTIC RISER CAN BE POURED INTO COVER.
 7. PUMPS & ACCESSORIES OPTIONAL.

			PREPARED FOR: ANDREW J. FOSS CO. INC. 100 COCHECO ROAD FARMINGTON, NH 03835 PHONE(603)755-2515 FAX(603)278-7878		
REV.NO.	DATE	REVISION	DATE: 9/16/09	SHEET TITLE: SKETCH	DRWN BY: GJP
			SCALE: N.T.S.		CHK BY: KMK
PREPARED BY: DELTA ENGINEERS, ARCHITECTS, & LAND SURVEYORS 184 COURT STREET, BINGHAMTON, NY 13901 TEL: (607) 231-6800 FAX: (607) 231-6850			PROJECT: 500 GALLON TANK 500 GALLON CHAMBER H-20		
			CONTRACTOR:	DWG. I.D.	SK-01
			DELTA PROJ. NO.: 2009.367.001	SHT. NO.	1 OF 1