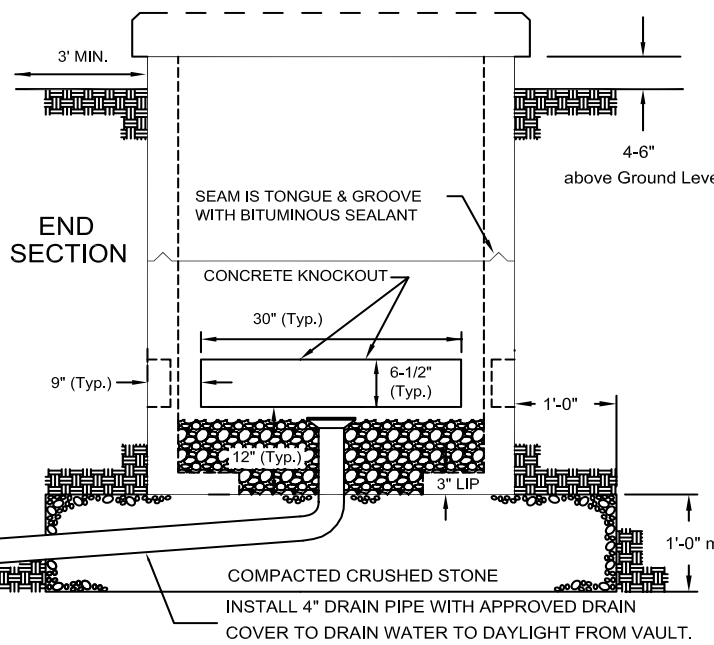
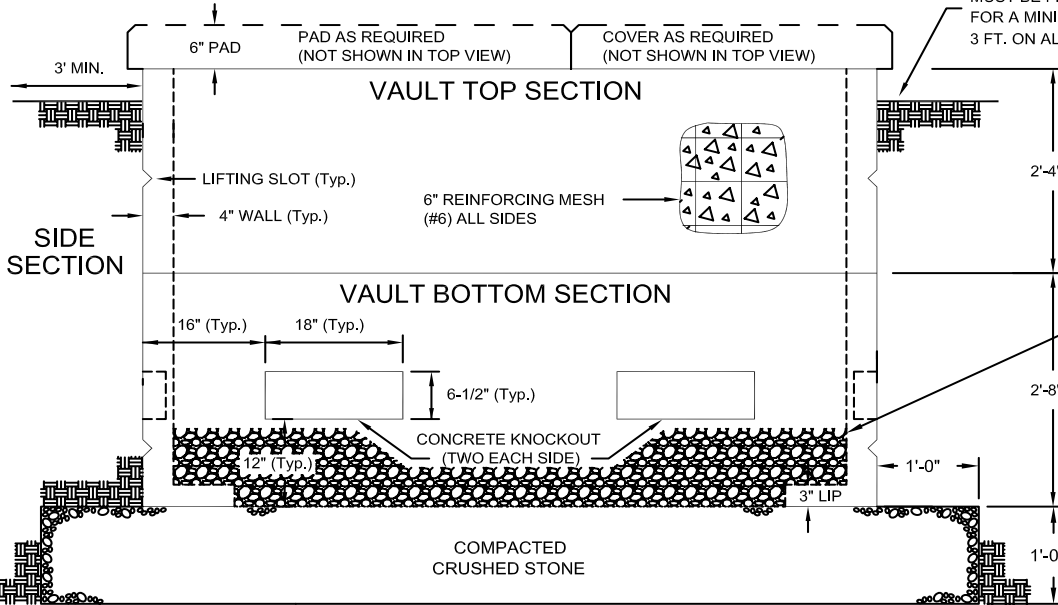
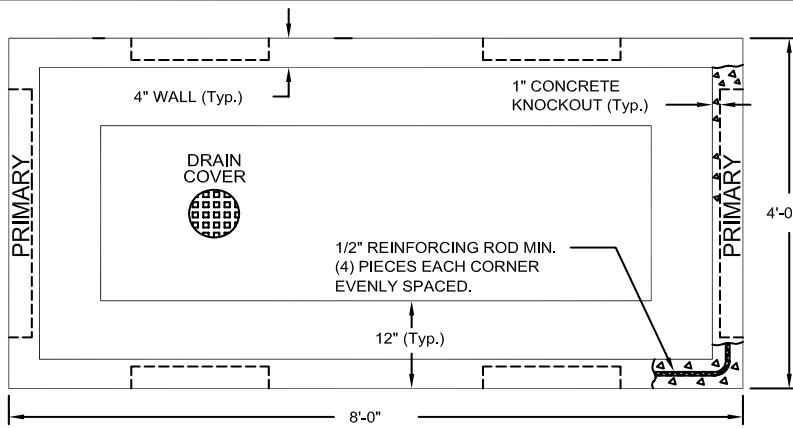


TOP VIEW

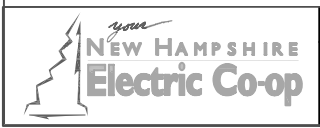


INSTALLATION REQUIREMENTS

- 1.) IF THE VAULT IS CUT INTO AN EMBANKMENT, NHEC MAY REQUIRE A RETAINING WALL EITHER IN FRONT OR BEHIND THE VAULT TO PREVENT MATERIAL FROM SPILLING INTO OR AWAY FROM THE VAULT.
- 2.) TOP OF VAULT SHALL BE FOUR TO SIX INCHES ABOVE FINISHED GRADE.
- 3.) ALL VAULTS WILL BE CONSTRUCTED WITH A DRAINAGE SYSTEM OF APPROVED PIPE MATERIAL TO DRAIN WATER THAT MAY PENETRATE THE VAULT. THE PIPING SHALL ORIGINATE AT THE LOWEST POINT INSIDE THE VAULT AND BE ROUTED TO FREE AIR AT AN ELEVATION BELOW ITS ORIGIN THAT PROMOTES DRAINAGE.
- 4.) IF VAULT IS LOCATED NEAR THE TRAVELED WAY, NHEC MAY REQUIRE A PROTECTIVE STRUCTURE TO PREVENT DAMAGE.
- 5.) SEAL ALL KNOCKOUTS AFTER CONDUIT IS PLACED.
- 6.) CONCRETE SHALL HAVE A COMPRESSIVE STRENGTH OF 5000 P.S.I. AFTER 28 DAYS WHEN TESTED IN ACCORDANCE WITH ASTM C-39-72 (LATEST EDITION).
- 7.) REFER TO SECTION 2 FOR FURTHER CLARIFICATION AND DETAILED DESCRIPTIONS FOR UNDERGROUND INSTALLATIONS.

PAD & COVER REQUIREMENTS

- 1.) FOR SINGLE PHASE 15 OR 25 KV TRANSFORMER (15-167 kVA), USE PAD U6-5A & COVER U7-5B.
- 2.) FOR SINGLE PHASE 15 OR 25 KV 200 AMP SECTIONALIZING CABINET USE PAD U6-5B & COVER U7-5B.
- 3.) FOR SPLICING OR PULLING VAULT USE COVER U7-5A & COVER U7-5B.



CONSTRUCTION STANDARDS
VAULT ASSEMBLY FOR
MULTIPLE RESIDENCE INSTALLATIONS
SINGLE PHASE LOOP FEED TRANSFORMERS

U5-5
 ISSUE DATE: 01/06