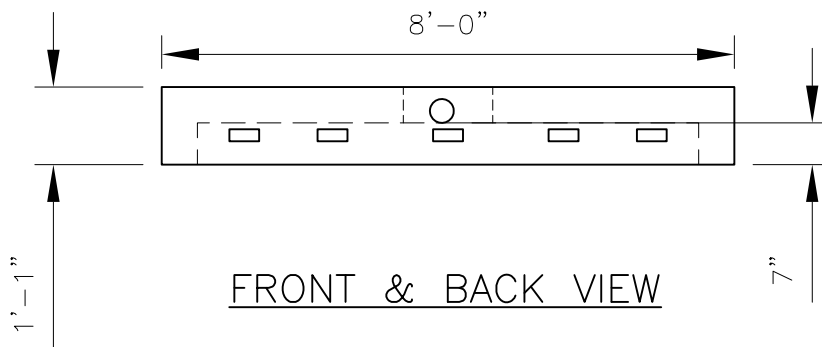
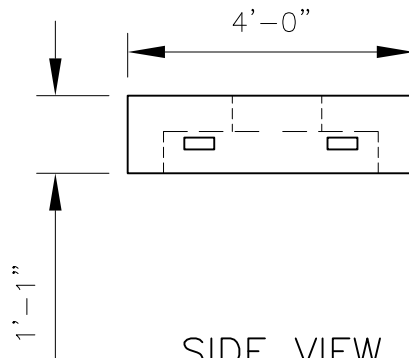


PLAN VIEW




FRONT & BACK VIEW



SIDE VIEW

NOTE:

1. $f'_c = 5,000$ PSI @ 28 DAYS
2. PORTLAND TYPE III CEMENT

			PREPARED FOR: ANDREW J. FOSS CO. INC. 100 CONCHECO ROAD FARMINGTON, NH 03835 PHONE (603) 755-2515 FAX (603) 755-9249																	
			DATE: 9/18/09	SHEET TITLE: SKETCH	DRWN BY: GJP															
			SCALE: N.T.S.		CKD BY: KMK															
			PROJECT: 4' x 8' x 13" CONCRETE CHAMBER SIDE																	
<table border="1"> <thead> <tr> <th>REV. NO.</th> <th>DATE</th> <th>REVISION</th> </tr> </thead> <tbody> <tr><td> </td><td> </td><td> </td></tr> <tr><td> </td><td> </td><td> </td></tr> <tr><td> </td><td> </td><td> </td></tr> <tr><td> </td><td> </td><td> </td></tr> </tbody> </table>			REV. NO.	DATE	REVISION													CONTRACTOR: DELTA PROJ. NO.: 2009.367.001		
REV. NO.	DATE	REVISION																		
PREPARED BY:  DELTA ENGINEERS, ARCHITECTS, & LAND SURVEYORS 184 COURT STREET, BINGHAMTON, NY 13901 TEL: (607) 231-6600 FAX: (607) 231-6650			DWG. I.D. SK-01 SHIT. NO. 1 OF 1																	