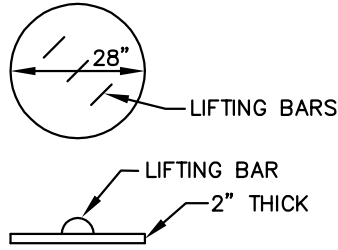
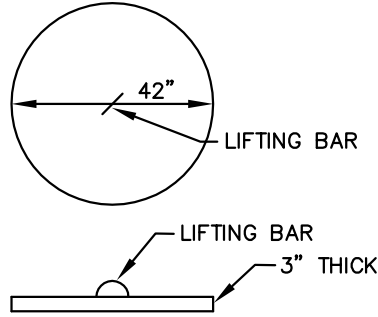


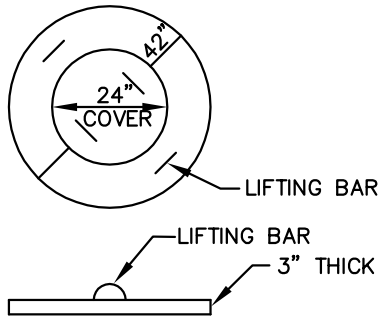
28" O.D. COVER



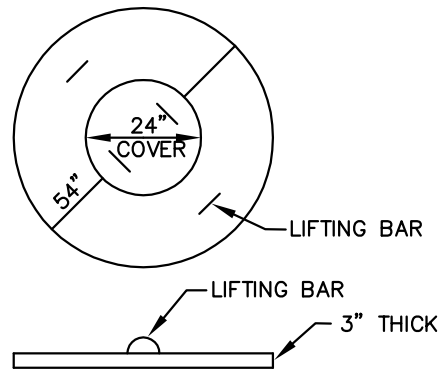
42" SOLID COVER



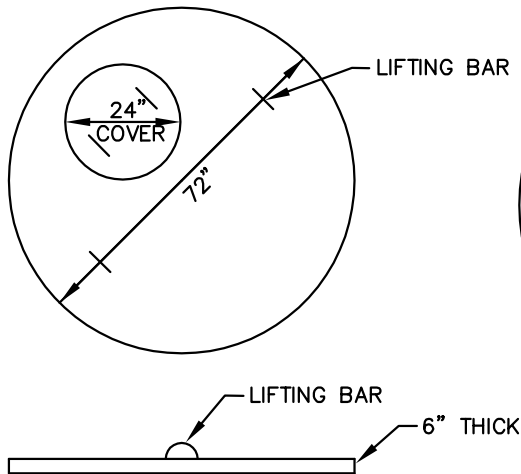
42" LIFTOUT COVER



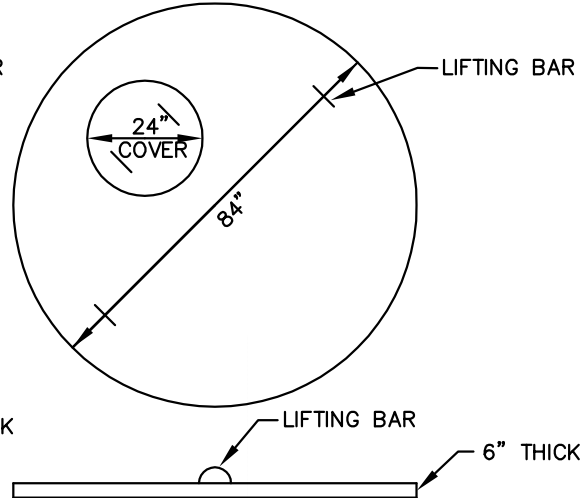
54" LIFTOUT COVER



72" COVER



84" COVER



100 COCHECO RD.
FARMINGTON, NH 03835
OFFICE: (603) 755-2515
FAX: (603) 278-7878

NOTES:

1. CONCRETE: 5,000 PSI MIN. AFTER 28 DAYS

CONCRETE COVERS

FOR: AJ FOSS 100 COCHECO ROAD FARMINGTON, NH 03835 PHONE: (603) 755-2515 FAX: (603) 278-7878	DATE: MARCH 29, 2015 FILE NAME: CON COVERS DRAWN BY: SO
--	---