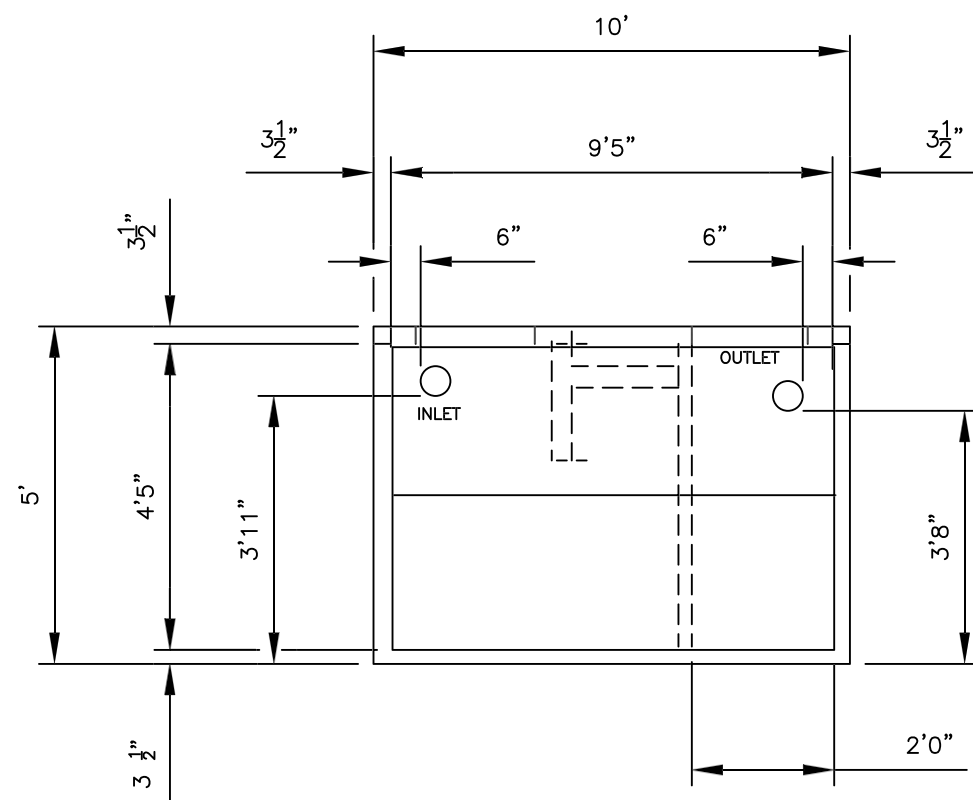


PLAN VIEW



ELEVATION VIEW

- NOTES:
1. CONCRETE: 5,000PSI MIN AFTER 28 DAYS.
 2. ALL REINFORCEMENT PER ASTM C1227-93.
 3. TEES AND GAS BAFFLE SOLD SEPARATELY.
 4. TONGUE & GROOVE JOINT SEALED WITH BUTYLE RESIN.
 5. 4" POLYLOK IV CLOSED END BOOTS USED FOR CONNECTIONS.
 6. PLASTIC RISER CAN BE POURED INTO COVER.
 7. PUMPS & ACCESSORIES OPTIONAL

PREPARED FOR:			ANDREW J. FOSS CO. INC.		
			100 COCHECO ROAD		
			FARMINGTON, NH 03835		
			PHONE(603)755-2515 FAX(603)278-7878		
REV.NO.	DATE	REVISION			
PREPARED BY:			DATE: 9/16/09	SHEET TITLE: SKETCH	DRWN BY: GJP
			SCALE: N.T.S.		CKD BY: KMK
			PROJECT: 1025 GALLON TANK 275 GALLON CHAMBER H-10		
			CONTRACTOR:	DWG. I.D. SK-01	
			DELTA PROJ. NO.: 2009.367.001	SHT. NO. 1 OF 1	