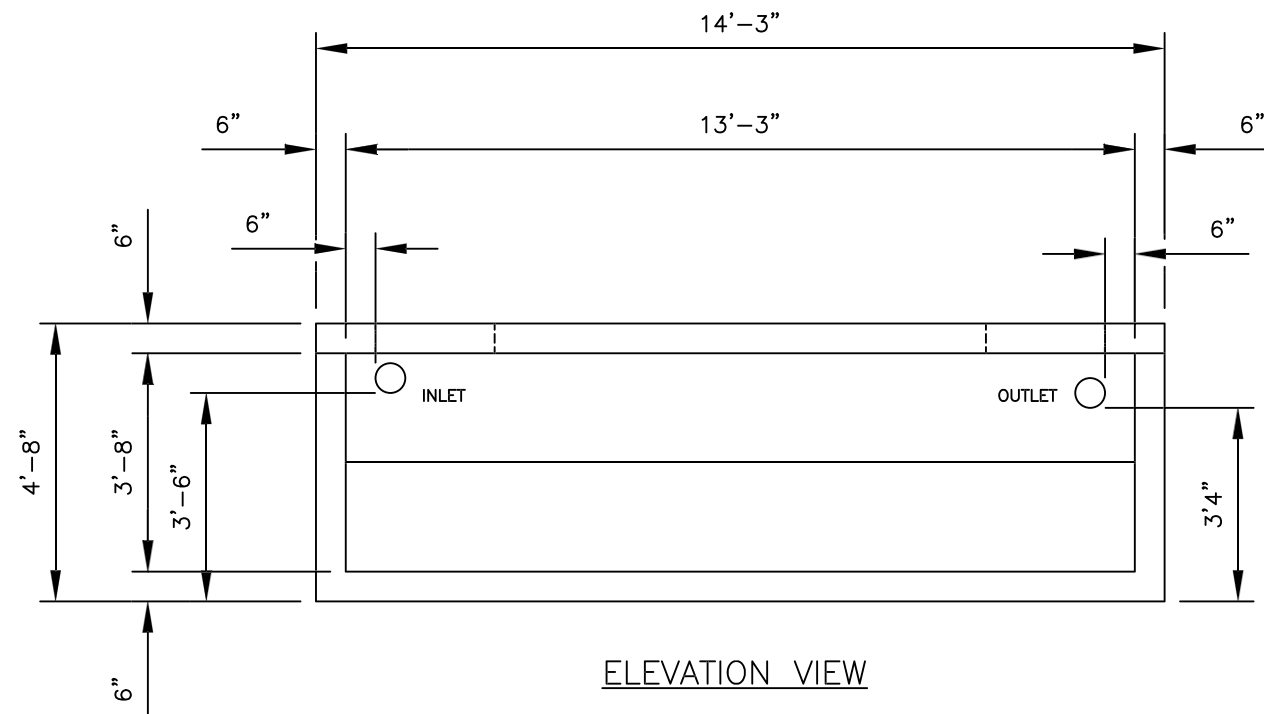


PLAN VIEW



ELEVATION VIEW

- NOTES:
1. CONCRETE: 5,000PSI MIN AFTER 28 DAYS.
 2. ALL REINFORCEMENT PER ASTM C1227-93.
 3. TEES AND GAS BAFFLE SOLD SEPARATELY.
 4. TONGUE & GROOVE JOINT SEALED WITH BUTYLE RESIN.
 5. 4" POLYLOK IV CLOSED END BOOTS USED FOR CONNECTIONS.
 6. PLASTIC RISER CAN BE POURED INTO COVER.

REV.NO. DATE REVISION			PREPARED FOR: ANDREW J. FOSS CO. INC. 100 COCHECO ROAD FARMINGTON, NH 03835 PHONE(603)755-2515 FAX(603)278-7878		
PREPARED BY: DELTA ENGINEERS, ARCHITECTS, & LAND SURVEYORS 184 COURT STREET, BINGHAMTON, NY 13901 TEL: (607) 231-6600 FAX: (607) 231-6650			DATE: 9/16/09 SCALE: N.T.S.	SHEET TITLE: SKETCH	DRWN BY: GJP CKD BY: KMK
PROJECT: 1500 GALLON TANK SHORT H-20			CONTRACTOR: DELTA PROJ. NO.: 2009.367.001		
DWG. I.D. SK-01 SHT. NO. 1 OF 1			DELTA PROJ. NO.: 2009.367.001		