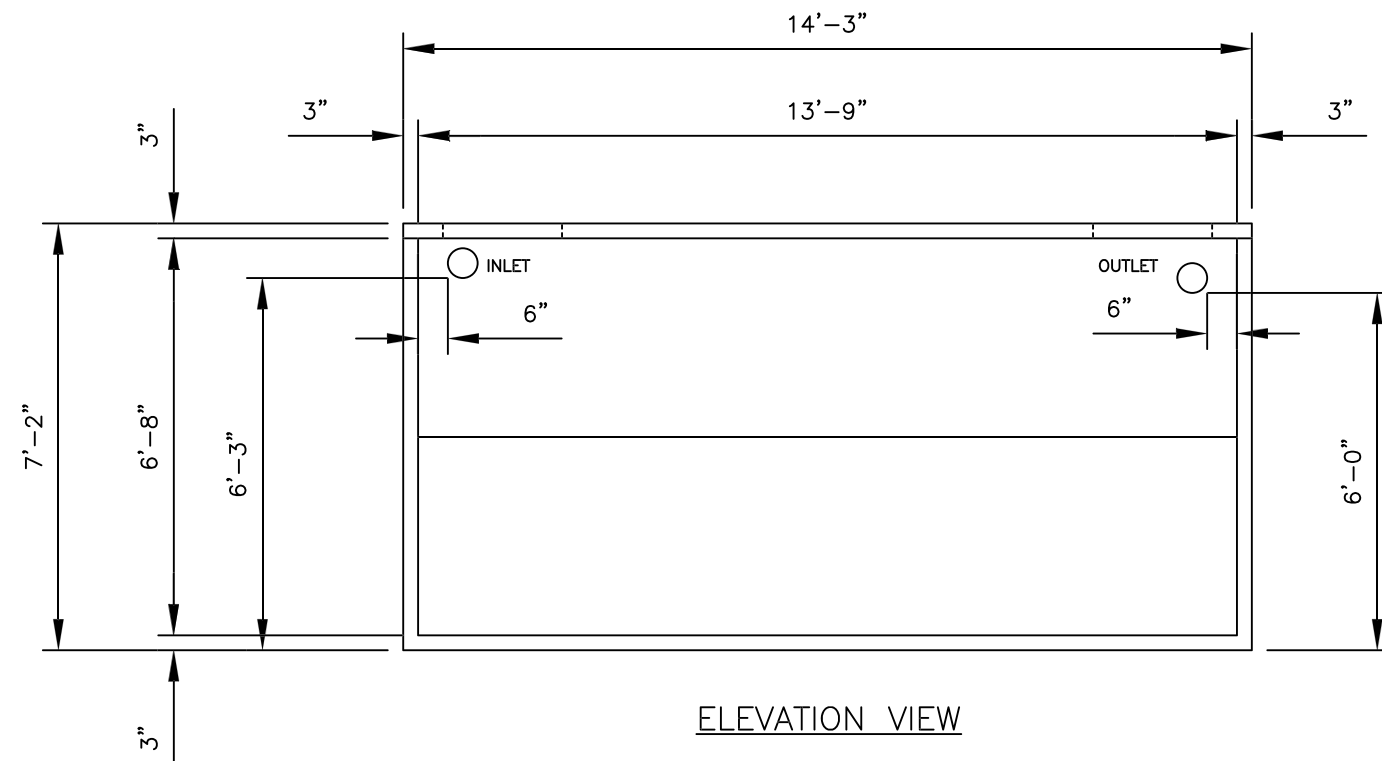


PLAN VIEW



ELEVATION VIEW

- NOTES:
1. CONCRETE: 5,000PSI MIN AFTER 28 DAYS.
 2. ALL REINFORCEMENT PER ASTM C1227-93.
 3. TEES AND GAS BAFFLE SOLD SEPARATELY.
 4. TONGUE & GROOVE JOINT SEALED WITH BUTYLE RESIN.
 5. 4" POLYLOK IV CLOSED END BOOTS USED FOR CONNECTIONS.
 6. PLASTIC RISER CAN BE POURED INTO COVER.

REV.NO. DATE REVISION			PREPARED FOR: ANDREW J. FOSS CO. INC. 100 COCHECO ROAD FARMINGTON, NH 03835 PHONE(603)755-2515 FAX(603)755-9249		
PREPARED BY: DELTA ENGINEERS, ARCHITECTS, & LAND SURVEYORS 184 COURT STREET, BINGHAMTON, NY 13901 TEL: (607) 231-6800 FAX: (607) 231-6850			DATE: 9/16/09 SHEET TITLE: SKETCH DRWN BY: GJP SCALE: N.T.S. CKD BY: KMK PROJECT: 3500 GALLON TANK H-10		
CONTRACTOR:			DWG. I.D. SK-01		
DELTA PROJ. NO.: 2009.367.001			SHT. NO. 1 OF 1		