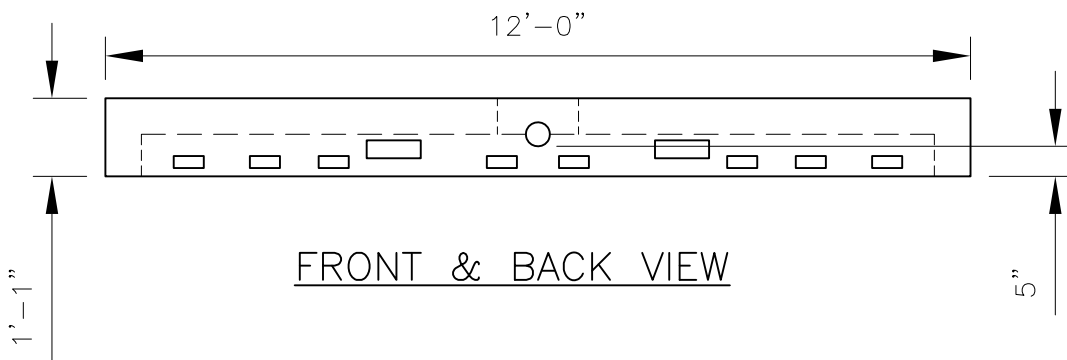
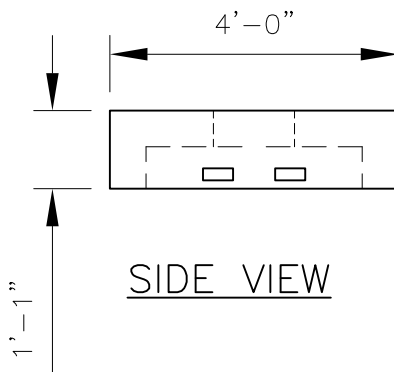


PLAN VIEW



FRONT & BACK VIEW



SIDE VIEW

NOTE:

1. $f'_c = 5,000$ PSI @ 28 DAYS
2. PORTLAND TYPE III CEMENT

REV. NO.	DATE	REVISION

PREPARED BY:



PREPARED FOR:
ANDREW J. FOSS CO. INC.
 100 CONCHECO ROAD
 FARMINGTON, NH 03835
 PHONE (603) 755-2515 FAX (603) 755-9249

DATE: 9/18/09 SHEET TITLE: **SKETCH** DRWN BY: GJP
 SCALE: N.T.S. CKD BY: KMK

PROJECT: **4' x 12' x 13" CONCRETE CHAMBER**

CONTRACTOR: DELTA PROJ. NO.: 2009.367.001 DWG. I.D. SK-01 SHT. NO. 1 OF 1