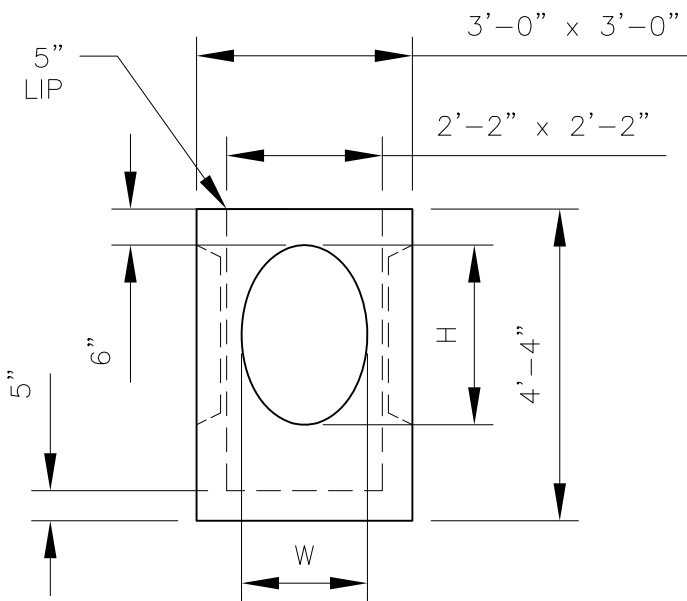


PLAN VIEW



ELEVATION VIEW

OPENING	W	H
A	24"	36"
B	21"	30"

NOTE:

1. f'c = 5,000 PSI @ 28 DAYS
2. PORTLAND TYPE III CEMENT

REV. NO.	DATE	REVISION

PREPARED BY:

DELTA
ENGINEERS, ARCHITECTS, & LAND SURVEYORS
184 COURT STREET, BINGHAMTON, NY 13901
TEL: (607) 231-6600 FAX: (607) 231-6650

PREPARED FOR:

ANDREW J. FOSS CO. INC.
100 CONCHECO ROAD
FARMINGTON, NH 03835
PHONE(603)755-2515 FAX(603)755-9249

DATE: 9/18/09	SHEET TITLE: SKETCH	DRWN BY: GJP
SCALE: N.T.S.		CKD BY: KMK

PROJECT:

DROP INLET
DRAINAGE STRUCTURE

CONTRACTOR:	DWG. I.D. SK-01
DELTA PROJ. NO.: 2009.367.001	SHT. NO. 1 OF 1