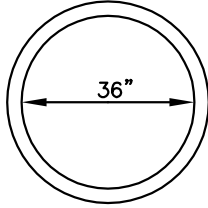
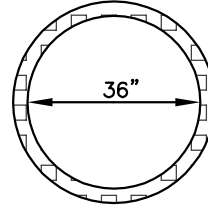


36" I.D. WELL TILE

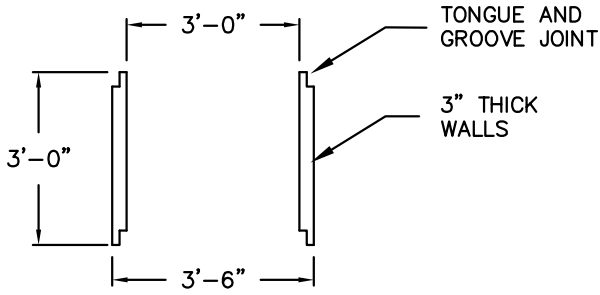


42" O.D. WELL TILE

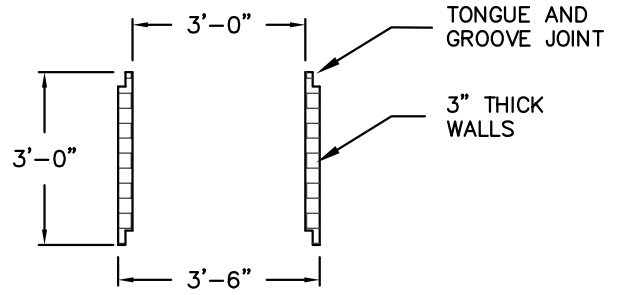
36" I.D. PERFORATED WELL TILE



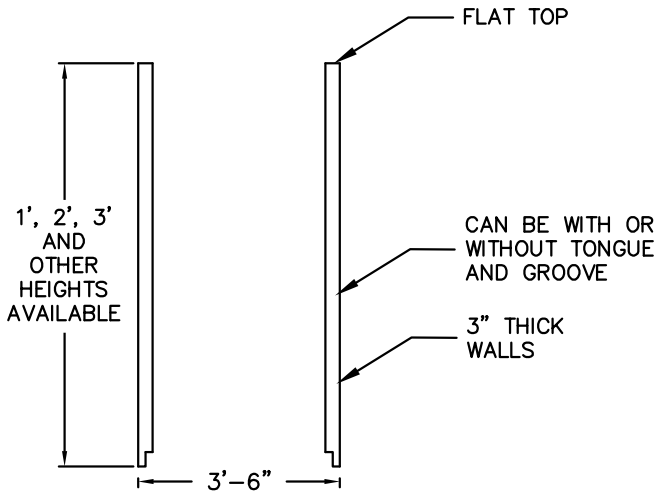
42" O.D. WELL TILE



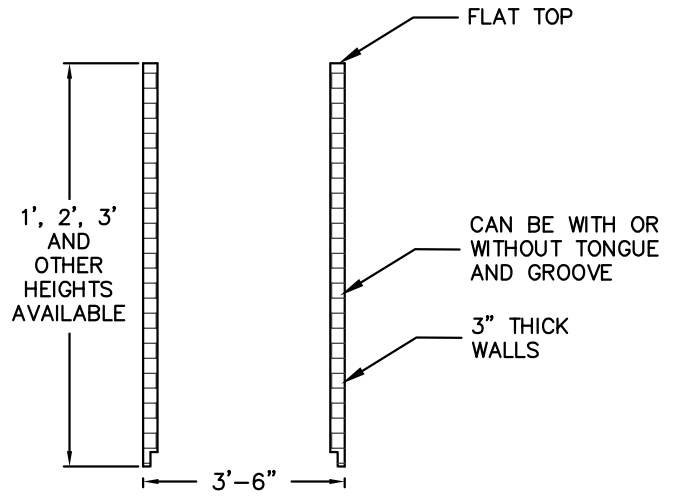
RISER SECTION



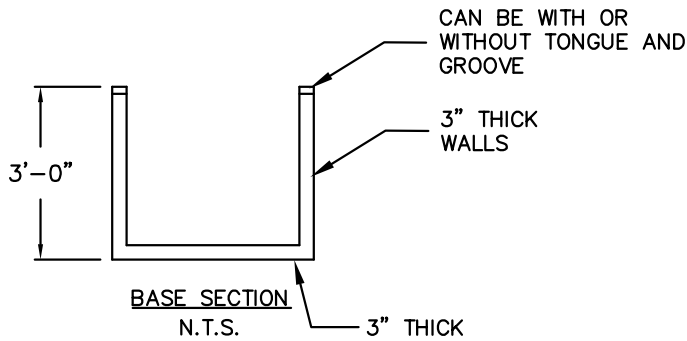
RISER SECTION



TOP SECTION  
N.T.S.



TOP SECTION  
N.T.S.



BASE SECTION  
N.T.S.



100 COCHECO RD.  
FARMINGTON, NH 03835  
OFFICE: (603) 755-2515  
FAX: (603) 278-7878

**NOTES:**  
1. CONCRETE: 5,000 PSI MIN. AFTER 28 DAYS

WELL TILE	
FOR: AJ FOSS 100 COCHECO ROAD FARMINGTON, NH 03835 PHONE(603)755-2515 FAX(603)278-7878	DATE: MARCH 25, 2015 FILE NAME: WELL TILE DRAWN BY: SO