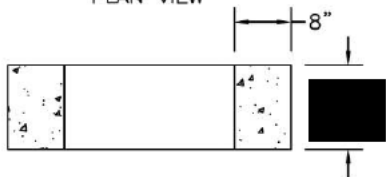


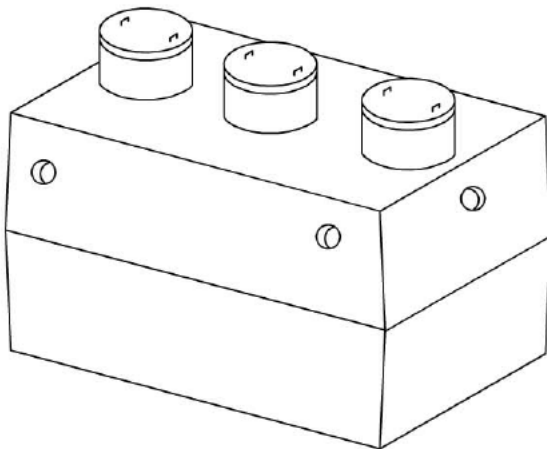
PLAN VIEW



SECTION VIEW

TANK RISER H-20

AJ Foss
The Signature of Quality Process



4",6",8",10",12"

NOTES:

1. CONCRETE: 4,000 PSI MINIMUM AFTER 28 DAYS.
2. OPTIONAL CONCRETE OR CAST IRON COVER AVAILABLE.