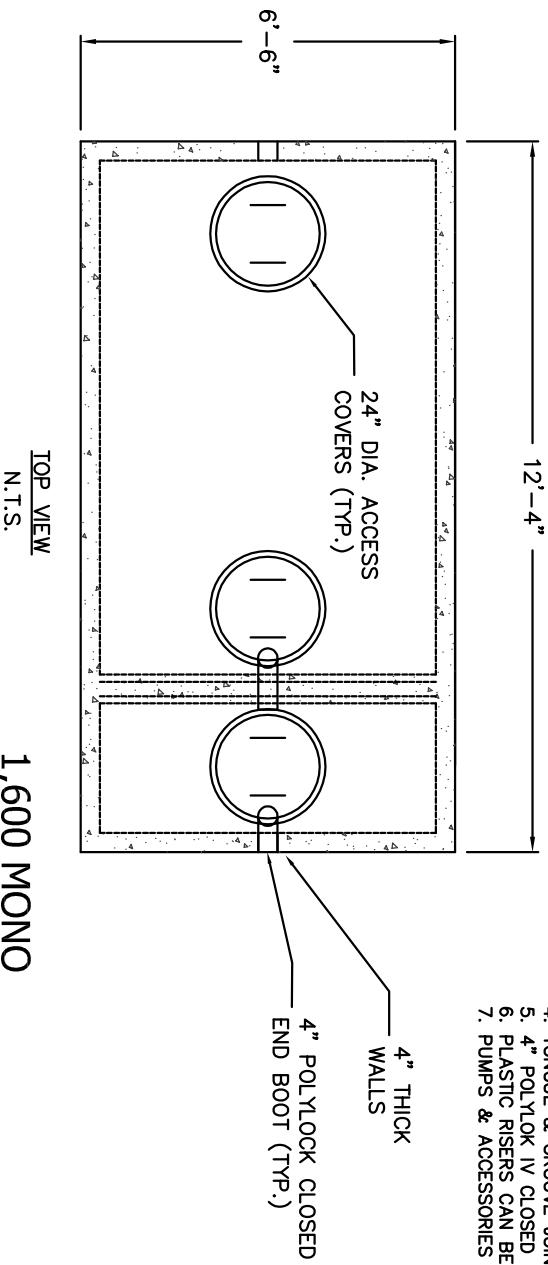


- NOTES:
1. CONCRETE: 5,000 PSI MIN. AFTER 28 DAYS
 2. ALL REINFORCEMENT PER ASTM C1227-93
 3. TEES AND GAS BAFFLE SOLD SEPARATELY
 4. TONGUE & GROOVE JOINT SEALED WITH BUTYL RESIN
 5. 4" POLYLOK IV CLOSED END BOOTS USED FOR CONNECTIONS.
 6. PLASTIC RISERS CAN BE POURED INTO COVER
 7. PUMPS & ACCESSORIES OPTIONAL



AJFOSSTM
 The Signature of Quality Precast

100 COACHECO RD.
 FARMINGTON, NH 03835
 OFFICE: (603) 755-2515
 FAX: (603) 278-7878

1,600 MONO TANK 2 COMPARTMENT	
FOR: AJ FOSS	DATE: Feb. 11, 2016
100 COACHECO ROAD	FILE NAME: 1600 MONO 2 COMPARTMENT
FARMINGTON NH 03835	DRAWN BY: SO
FAX: (603) 278-7878	