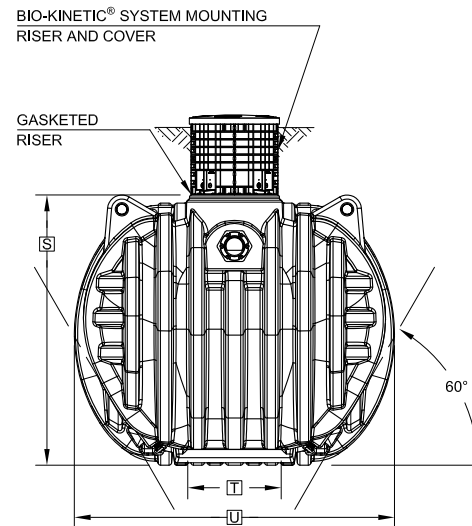


BIO-KINETIC® SYSTEM DISCHARGE DETAIL



NOTE: TOTAL SYSTEM CAPACITY: 1,300 GALLONS
RATED CAPACITY: 500 GALLONS PER DAY

GENERAL NOTES:

- ① SINGULAIR® AERATOR, AS TESTED AND ACCEPTED BY NSF.
- ② FALL THROUGH SINGULAIR® PLANT FROM INLET INVERT TO OUTLET INVERT IS FOUR INCHES. INLET INVERT IS TEN AND ONE HALF INCHES BELOW TANK TOP.
- ③ ON DEEPER INSTALLATIONS, RISERS MUST BE USED TO EXTEND AERATOR MOUNTING RISER AND BIO-KINETIC® SYSTEM MOUNTING RISER TO GRADE. INSPECTION COVER ON PRETREATMENT CHAMBER MUST BE DEVELOPED TO WITHIN TWELVE INCHES OF GRADE.
- ④ REMOVABLE COVERS ON RISERS ARE EACH SECURED TO PREVENT UNAUTHORIZED ACCESS.
- ⑤ CONTACT THE LOCAL, LICENSED SINGULAIR® DISTRIBUTOR FOR ELECTRICAL REQUIREMENTS.

PROJECT ENGINEER'S APPROVAL:
I (WE) HEREBY CERTIFY THAT THIS DRAWING HAS BEEN CHECKED AND IS APPROVED FOR USE IN CONFORMITY WITH THE CONTRACT DOCUMENTS.

DATE: _____

NAME: _____

CONTRACTOR'S CERTIFICATION:
I (WE) HEREBY CERTIFY THAT THIS DRAWING HAS BEEN CHECKED AND IS APPROVED FOR USE IN CONFORMITY WITH THE CONTRACT DOCUMENTS.

DATE: _____

NAME: _____

CRITICAL DIMENSIONS

| | | | |
|---|-------------|---|------------|
| A | 1'- 5 1/2" | N | 0'- 0 3/8" |
| B | 3'- 3" | O | 0'- 6" |
| C | 3'- 5 1/4" | P | 0'- 0 3/8" |
| D | 4'- 1 3/4" | Q | 1'- 2 1/2" |
| E | 2'- 5 3/4" | R | 4'- 3 1/2" |
| F | 10'- 3" | S | 5'- 6" |
| G | 0'- 10 1/2" | T | 1'- 11" |
| H | 4'- 7 1/2" | U | 6'- 6" |
| I | 0'- 3" | V | |
| J | 0'- 1 1/2" | W | |
| K | 1'- 0" | X | |
| L | 0'- 0 3/4" | Y | |
| M | 4'- 4" | Z | |

| | | | | | |
|--|--------------------------------------|-------------|-----------|----------|---|
| U.S. AND FOREIGN PATENTS PENDING | | REVISED | 04-05-12 | REVISION | A |
| | | PROVIDED BY | BDS | | |
| © MMX | SINGULAIR® GREEN 960 - 500 SYSTEM | APPROVED BY | JMM | | |
| | | DATE | 8-4-10 | | |
| | | SCALE | NTS | | |
| <small>THE DRAWING IS THE PROPERTY OF NORWECO. NO OTHER REPRODUCTION, COPIING, OR ANY PART THEREOF IS PERMITTED WITHOUT THE WRITTEN PERMISSION FROM NORWECO.</small> | | DRAWING NO. | PC-5-7122 | | |